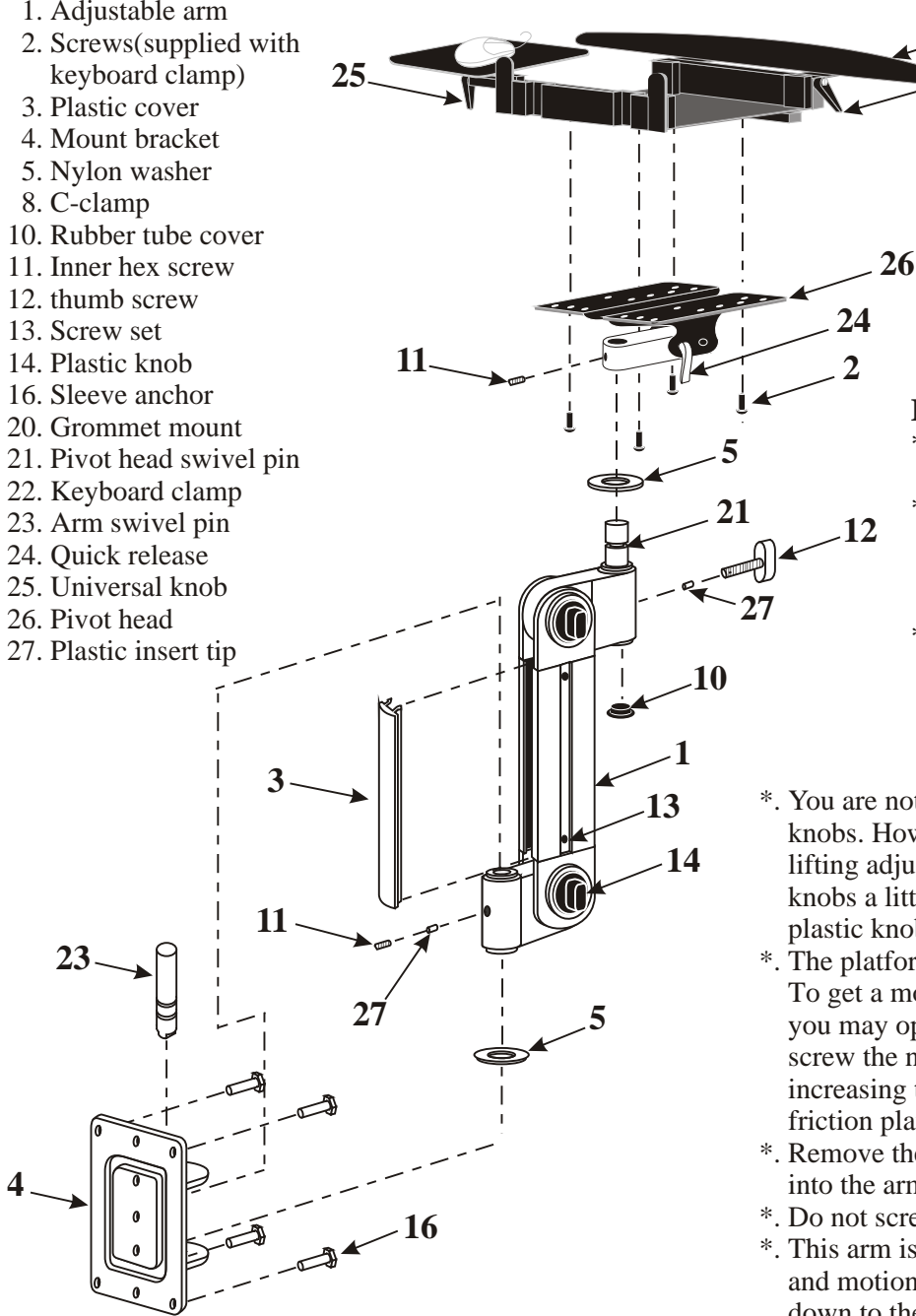


#60219 SERIES KEYBOARD HOLDER INSTALLATION GUIDE

PARTS:

1. Adjustable arm
2. Screws(supplied with keyboard clamp)
3. Plastic cover
4. Mount bracket
5. Nylon washer
8. C-clamp
10. Rubber tube cover
11. Inner hex screw
12. thumb screw
13. Screw set
14. Plastic knob
16. Sleeve anchor
20. Grommet mount
21. Pivot head swivel pin
22. Keyboard clamp
23. Arm swivel pin
24. Quick release
25. Universal knob
26. Pivot head
27. Plastic insert tip



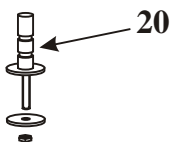
Keyboard holder weight capacity

This keyboard holder is designed with limited weight capacity listed as follows. Please do not try to adjust this arm with overload.
 * #60219.12xx max. load 4.5kgs.
 * #60219.32xx max. load 2.0kgs.

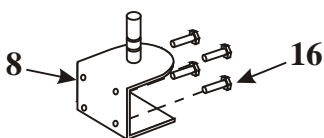
Important information:

- * Do not install the #1 adjustable arm upside-down.
- * Use a 3mm hex key wrench to screw the #11 inner hex screw and plastic insert tip into the groove on #21 pivot head swivel pin.
- * Use a 3mm hex key wrench to screw the #11 inner hex screw into the groove on the arm swivel pin of the mounting bracket.
- * You are not recommended adjust the #14 plastic knobs. However, if you prefer a more dampened lifting adjustment, you may turn the #14 plastic knobs a little tight. (Note: Do not turn the #14 plastic knobs off.)
- * The platform tilt adjustment is spring assisted. To get a more tight platform tilt adjustment, you may open the #24 quick release handle and screw the nut on the other side a little tight for increasing the pressure between the two plastic friction plates and then lock the quick release.
- * Remove the #3 plastic cover and put all the cables into the arm housing and then insert the cover back.
- * Do not screw the #13 screw sets off.
- * This arm is designed with a limited weight capacity and motion range(from the vertical plane 90 degrees down to the horizontal plane). (Note: Do not adjust the arm under horizontal plane with overload.)

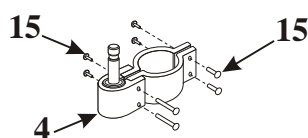
Grommet mount



2 in 1 mount



Pole clamp



How to use your keyboard clamp

- * Pull the clamp open and insert your keyboard between 4 rubber cushions, clip your keyboard in a right position.
- * The tilt of mouse tray is adjustable. You can loosen #25 the mouse tray universal knob and adjust its tilt angle to a best position.
- * The mouse tray can be installed at either right or left hand side and with arm installed outward or inward.
- * Loosen #25 the arm rest universal knob to adjust the arm rest height position and its tilt angle for a most comfortable key in position.