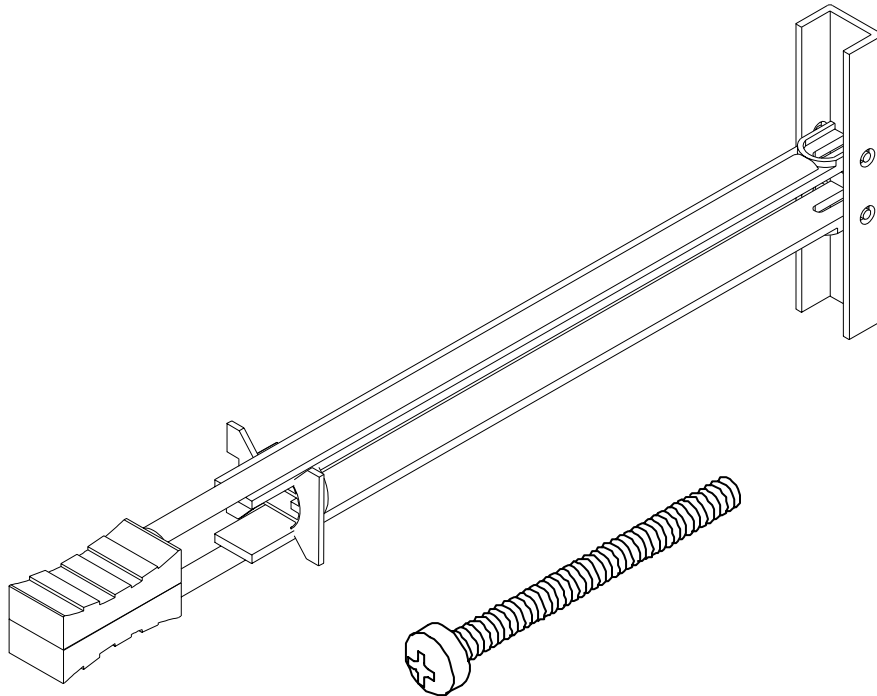


## Metal Stud Fastener Kits

Can be used to attach to a single stud only when weight of mount and equipment does not exceed 35 lb

See specific models for quantity needed and compatibility.

Can be used to attach loads greater than 35 lb only where specified for models that contain a wall plate which spans two or more studs.



Model	Shipping Weight
ACC 215 contains two togglers	.19 lb / .09 kg
ACC 415 contains four togglers	.32 lb / .15 kg

### ARCHITECTS SPECIFICATIONS

*The metal stud fastener kit shall be a model \_\_\_\_\_ and shall be utilized where necessary for mount installation. Assembly and installation shall be done according to instructions provided by the manufacturer.*

TECHNICAL DATA SHEET

## Metal Stud Fastener Kit