

Installation and Assembly - Truss Ceiling Adapter

Models: ACC 557
Patent Pending

Before you start make sure all parts shown below are included with your bracket.



This product is intended for use with UL Listed products and must be installed by a qualified professional installer.

***Combined Load Capacity:**
1200 lb (544.3 kg)

*Total weight of components and hardware

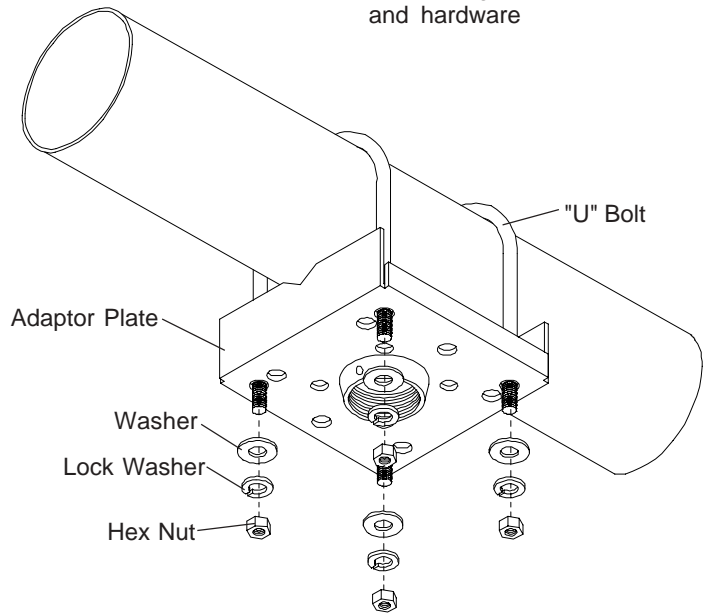
⚠ WARNING

- It is the responsibility of the installer to verify that the truss ceiling will safely support the combined load of all attached hardware and componentry.

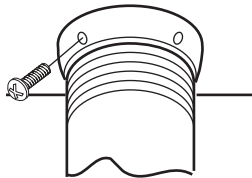
1 Select the location on the truss for positioning adaptor and position the "U" Bolts over the top as shown. Then attach the adaptor plate underneath with the Hex Nut, lock washers and washers.

Note: The direction of the plate relative to the truss will depend on the shape of the truss - see diagram at bottom of page. Tighten nuts snugly.

2 Attach the extension column according to the instructions provided with it. Use a level to make sure the column is plumb and make adjustments as necessary.



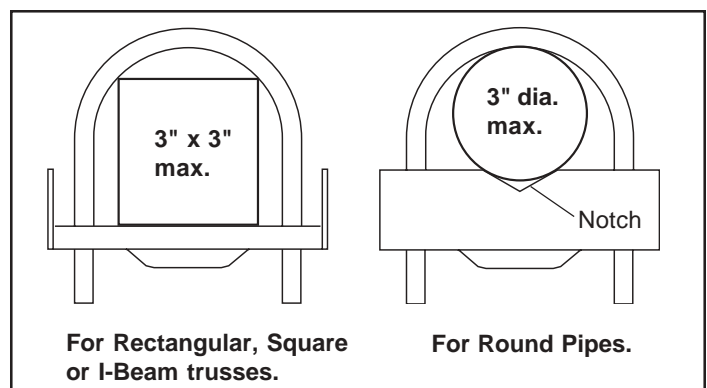
Note: Insert the M5 x 10 mm tri-point screw in the threaded pipe fitting as directed in the extension column instructions. If you are using an extension pipe without a notch, drill a 11/64 (0.172") dia. hole through the pipe and insert the screw through the pipe. **Failure to do so could cause the assembly to fail.**



3 Now tighten Hex Nuts to a maximum of 25 FP (34 NM) so that the lock washer becomes flat. Mount your bracket according to the instructions provided with it.

Parts List

Description	Qty	Part #
Truss Ceiling Decoupler	1	1465-272
"U" Bolt	2	520-9241
Flat Washer	4	540-9407
Lock Washer	4	540-9424
Hex Nut	4	530-9308
M5 x 10 mm phil. screw	1	520-9250



For Rectangular, Square or I-Beam trusses.

For Round Pipes.

The direction of the Adaptor Plate will depend on the shape of the truss.