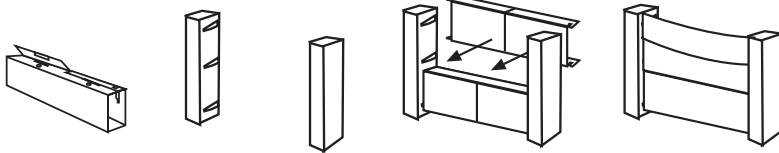


ASSEMBLY INSTRUCTIONS

ASSEMBLY OVERVIEW



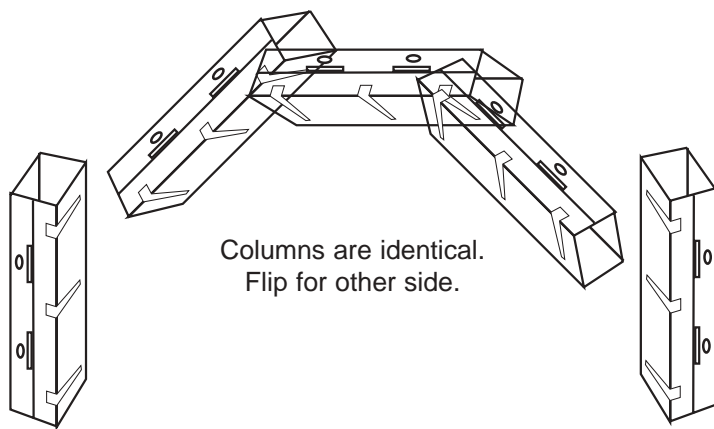
PARTS LIST

Code	Description	Qty.	Part. No
A	End Column Panel	2	232601
B	Center Panel	2	232602
C	Header Panel	1	232603

1

ASSEMBLE END COLUMNS

Unfold one (A) End Column Panel on display table or floor, fabric side down (Figure 1). Fold panels as shown. Insert locking tabs to secure (Figure 2). Repeat for second end column.



Patented #5,632,390 #6,382,433

FIRE RETARDANT PLASTIC

Test was conducted in accordance with Code of Federal Regulations (CFR), Title 14-Aeronautics and Space, Part 25.853 Compartment Interiors and Appendix F. Test was conducted on October 20, 1993 by Gaynes Testing Laboratories, LTD., Chicago, ILL.

TEST STANDARD: UL-94 TEST RATING: Pass V-2

FIRE RETARDANT FABRIC

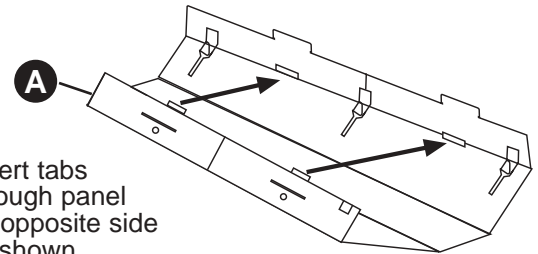
ASTM E84-91a Complies with NFPA Class A and UBC Class 1

UBC 8-2 (42-2, 1991 UBC) Meets "acceptance criteria"

CAN/ULC-S102-M88

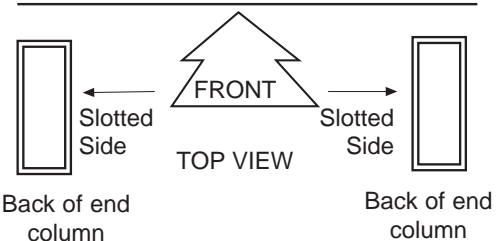
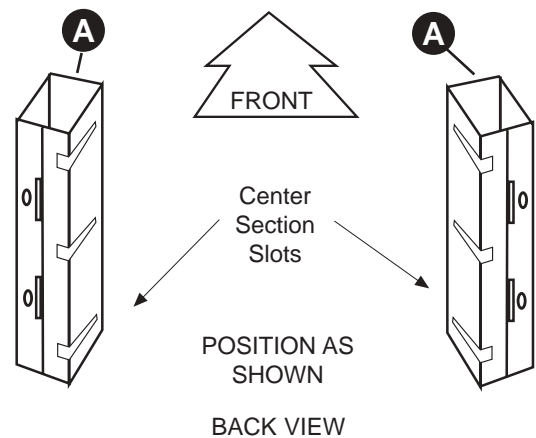
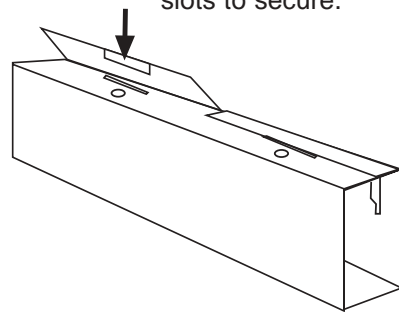
New York State Art. 15 Part 1120 Toxicity Test. No more toxic than wood.

FIGURE 1 Unfold end column with fabric side down.



Insert tabs through panel on opposite side as shown.

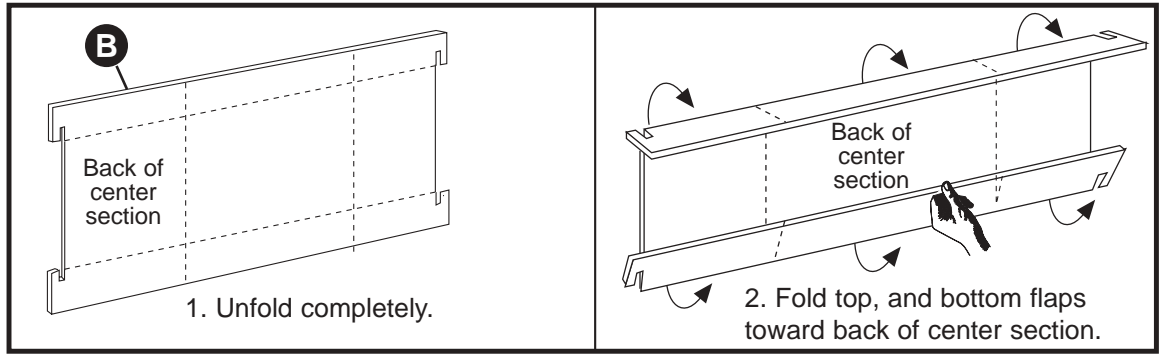
FIGURE 2 BEND TAB and insert into slots to secure.



Stand columns approximately 5' apart with center section slots facing toward other column.

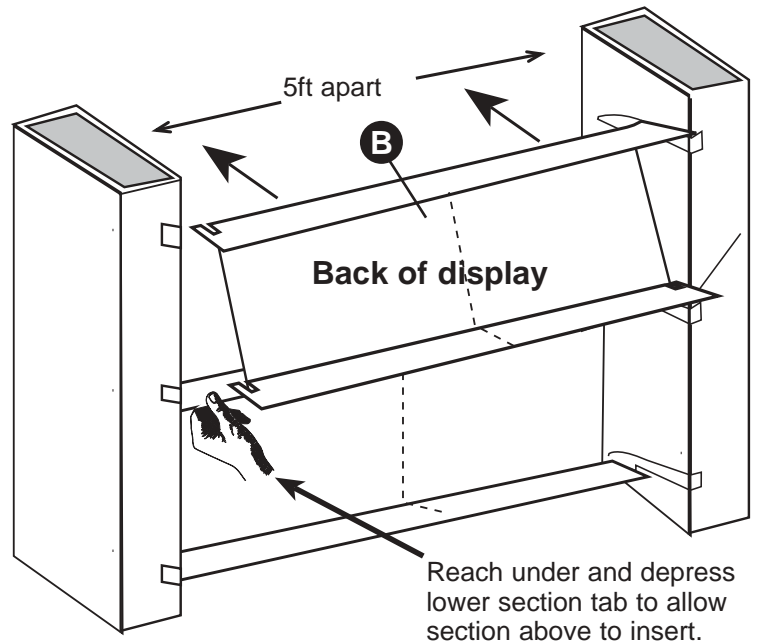
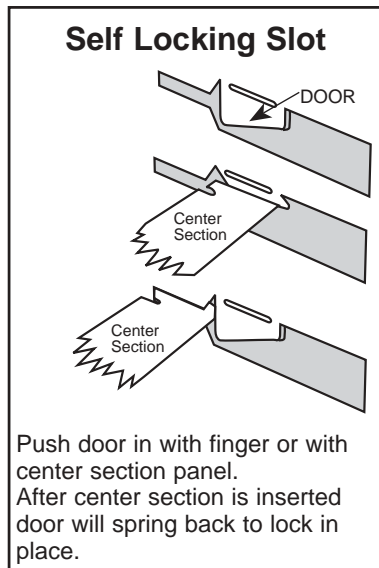
2 CENTER SECTIONS

Unfold (B) Center Sections as shown.



3

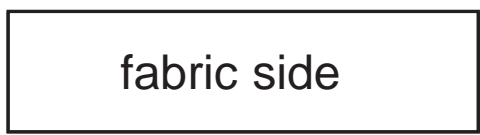
Standing in back of display, and working from the bottom, completely insert one Center Section into end column slots. The section above shares the same slot as the section below. You will need to depress the section below as you insert the section above.



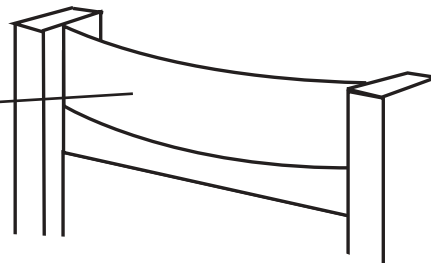
4

ATTACH HEADER PANEL

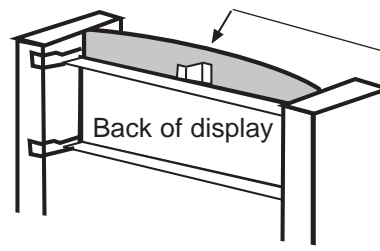
Open (C) Header Panel. Apply graphic.



Panel mounts to display with Velcro on each end.



Nest end of header panel against end column and even with top. Velcro header panel to center panel. Same for the other end. Panel will arch in center.



Reach under header and attach header support to center section.