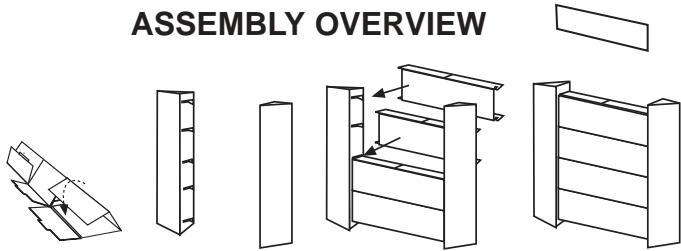


ASSEMBLY INSTRUCTIONS

ASSEMBLY OVERVIEW



PARTS LIST			
Code	Description	Qty.	Part. No
A	End Column Panel	2	232701
B	Center Panel	4	232702
C	Header Panel	1	232703

1 ASSEMBLE END COLUMNS
 Unfold one (A) End Column Panel on display table or floor, fabric side down (Figure 1). Fold panels as shown in Figures 2 & 3. Insert locking tabs to secure (Figure 3). Repeat for the second end column.

FIGURE 1 Unfold end column with fabric side down.

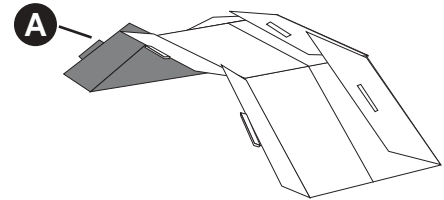


FIGURE 2 Fold slotted panels to crease (shaded area on drawing) of tabbed panel.

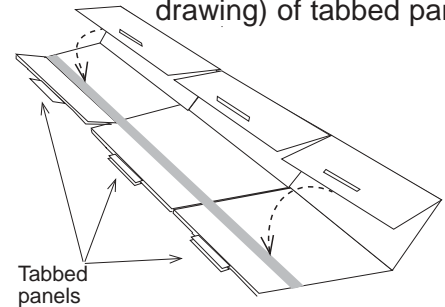


FIGURE 3 Bend tabs to insert into slots

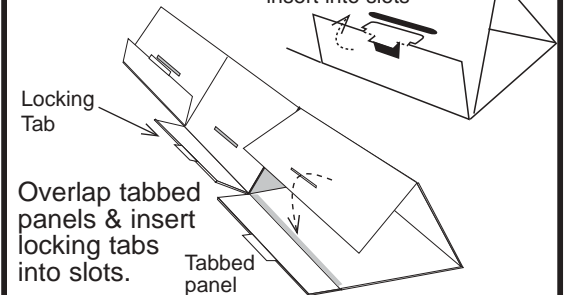
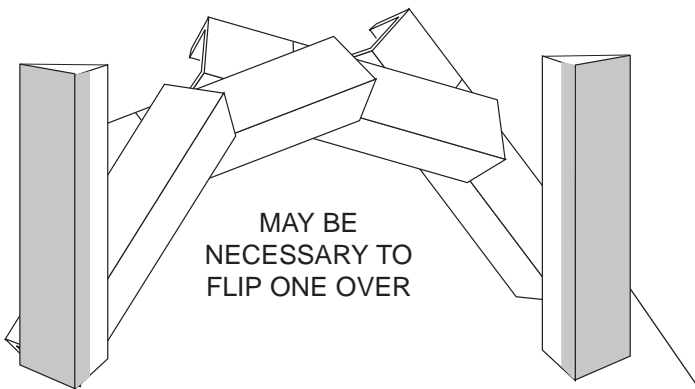
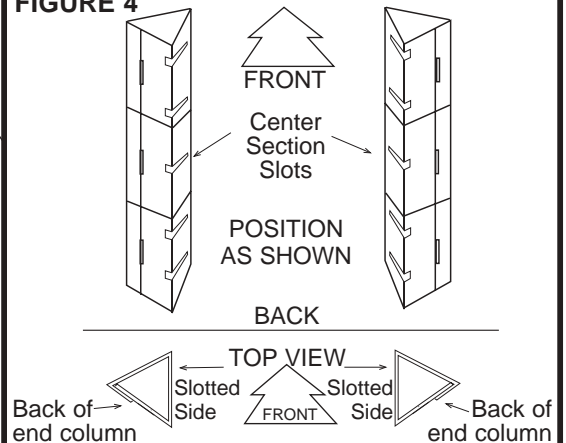


FIGURE 4



Both end columns are exactly the same. In order to have both finished sides facing forward it may be necessary to flip one over.

Stand columns approximately 5' apart with center section slots facing toward other column.

Patented #5,632,390 #6,382,433

FIRE RETARDANT PLASTIC

Test was conducted in accordance with Code of Federal Regulations (CFR), Title 14-Aeronautics and Space, Part 25.853 Compartment Interiors and Appendix F. Test was conducted on October 20, 1993 by Gaynes Testing Laboratories, LTD., Chicago, ILL.

TEST STANDARD: UL-94 TEST RATING: Pass V-2

FIRE RETARDANT FABRIC

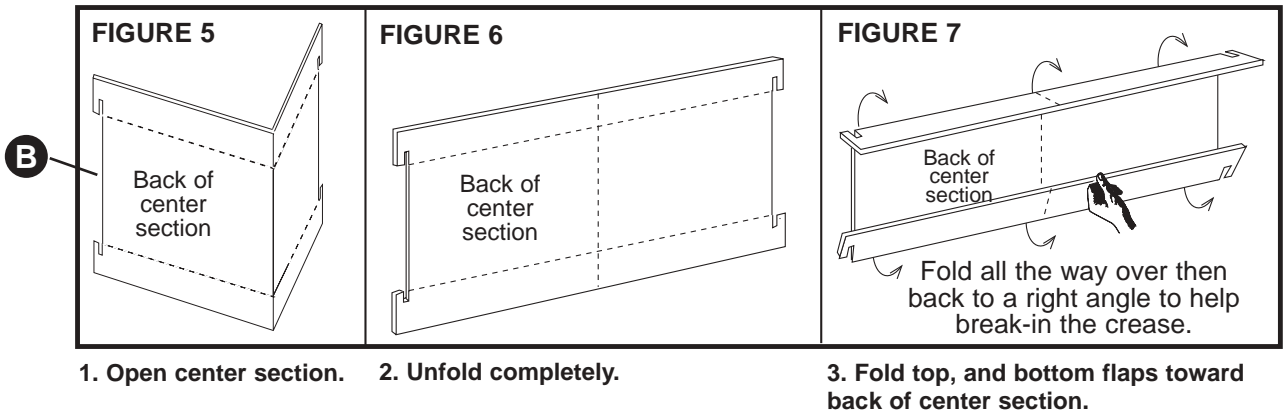
ASTM E84-91a Complies with NFPA Class A and UBC Class 1

UBC 8-2 (42-2, 1991 UBC) Meets "acceptance criteria"

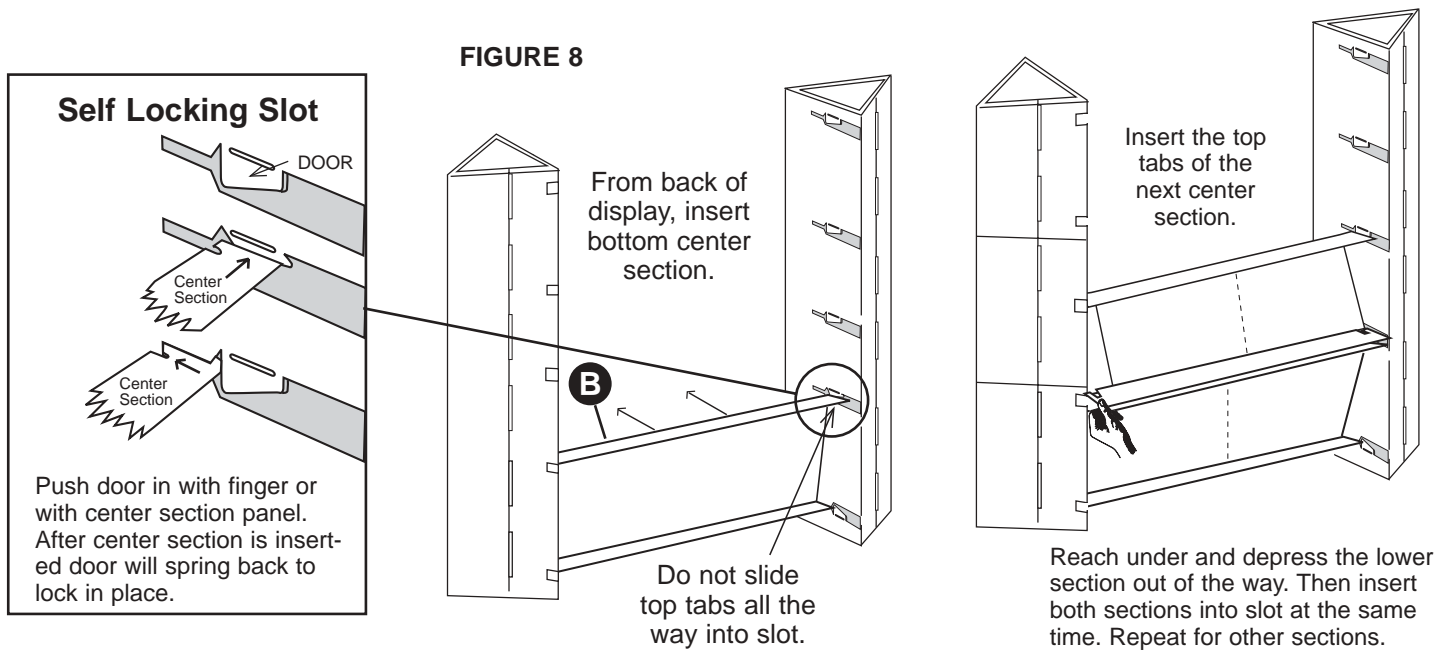
CAN/ULC-S102-M88

New York State Art. 15 Part 1120 Toxicity Test. No more toxic than wood.

2 CENTER SECTIONS: Unfold each (B) Center Panel as shown in Figures 5, 6 and 7.



3 Standing in back of display, and working from bottom to top, completely insert one Center Section into end column slots. When fully inserted, Center Sections will lock in place. The section above shares the same slot as the section below. You will need to reach under and hold the lower section out of the way as you insert the next section. Repeat steps until all Center Sections are in place.



4 ATTACH HEADER PANEL
Open (C) Header Panel.
Apply graphic.

