

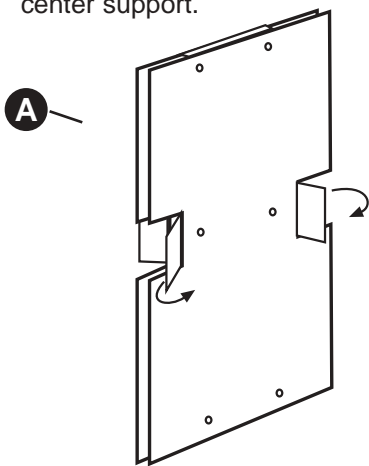
## ASSEMBLY INSTRUCTIONS

### PARTS LIST

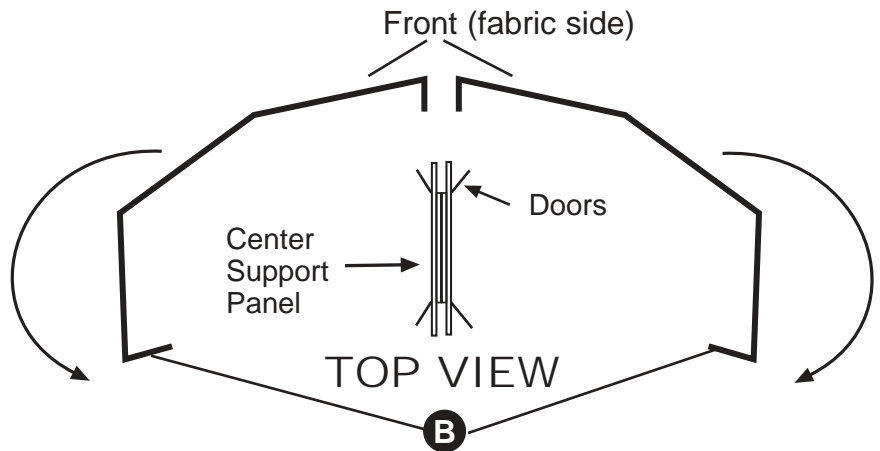
Code	Description	Qty.	Part. No
A	Center Support Panel	1	232801
B	Vertical Panel	2	232802
C	Countertop Panel	1	232901

Patented  
#5,632,390  
#6,382,433

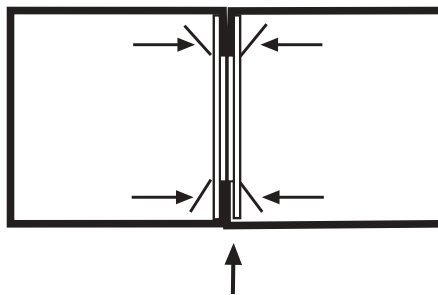
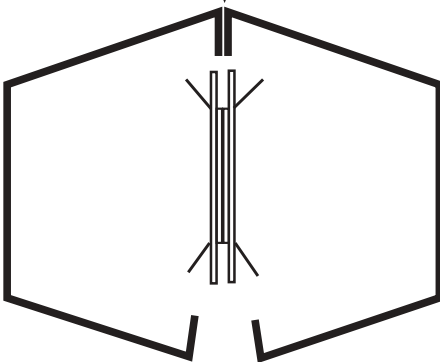
- 1** Bend open small doors on the (A) Center Support Panel. This will keep Velcro from grabbing sides when they are inserted into the center support.



- 2** Wrap each (B) Vertical Panel around the center support as shown.

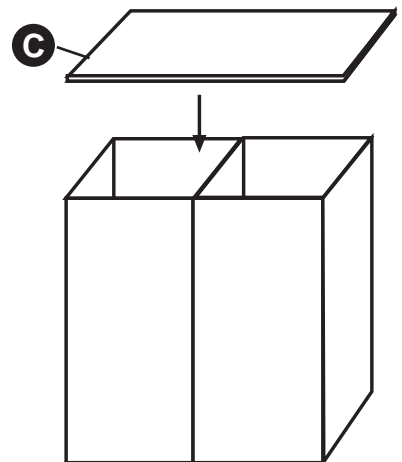


- 3** Insert small panels into center support.



After panels are inserted close doors and rub down to attach Velcro.

- 4** Square-up base assembly and add the (C) Countertop Panel.



### FIRE RETARDANT PLASTIC

Test was conducted in accordance with Code of Federal Regulations (CFR), Title 14- Aeronautics and Space, Part 25.853 Compartment Interiors and Appendix F. Test was conducted on October 20, 1993 by Gaynes Testing Laboratories, LTD., Chicago, ILL.

TEST STANDARD: UL-94 TEST RATING: Pass V-2

### FIRE RETARDANT FABRIC

ASTM E84-91a Complies with NFPA Class A and UBC Class 1

UBC 8-2 (42-2, 1991 UBC) Meets "acceptance criteria" CAN/ULC-S102-M88

New York State Art. 15 Part 1120 Toxicity Test. No more toxic than wood.