

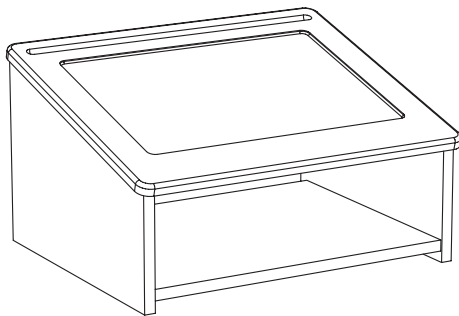
ASSEMBLY INSTRUCTIONS

Sort and count your parts!

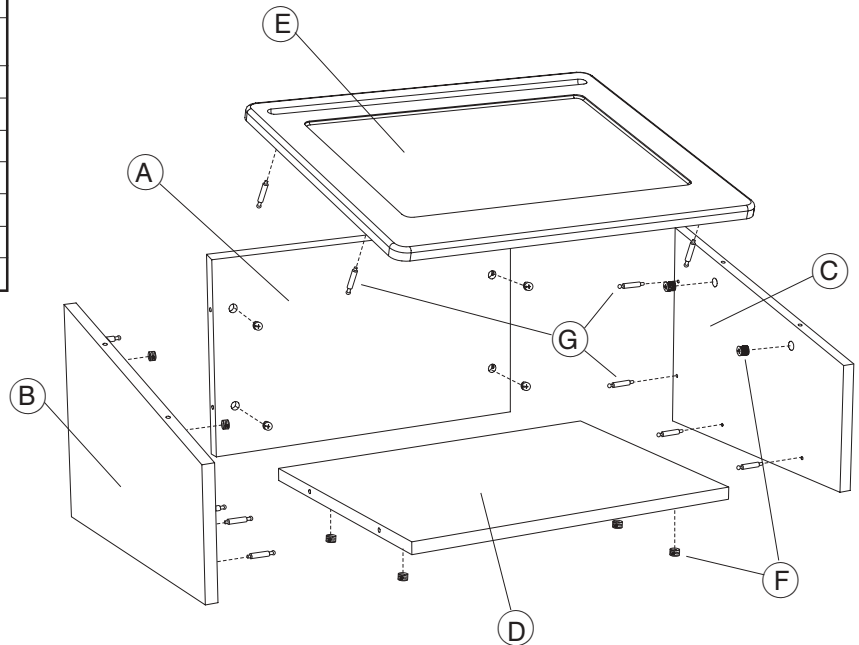
PARTS LIST			
LETTER CODE	DESCRIPTION	QTY.	PART NO.
(A)	Back Panel	1	8916-01
(B)	Left Side Panel	1	8916-02
(C)	Right Side Panel	1	8916-03
(D)	Shelf	1	8916-04
(E)	Top	1	8916-05
(F)	Locking Cam	12	HFFMFC
(G)	Screw Post	12	HFFMFB

When ordering replacement parts,
please specify color.

TOOLS REQUIRED: Phillips Screwdriver



ASSEMBLED UNIT
MODEL 8916



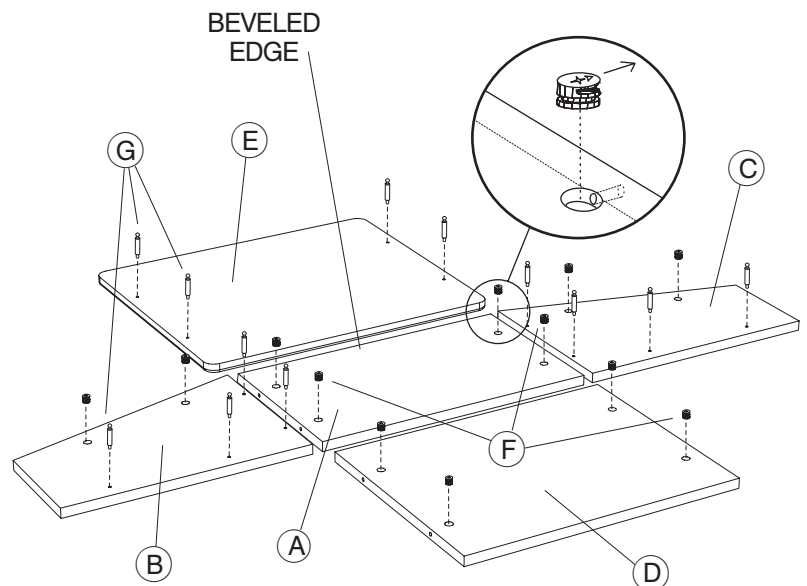
For questions or concerns, please call

1-800-888-6024

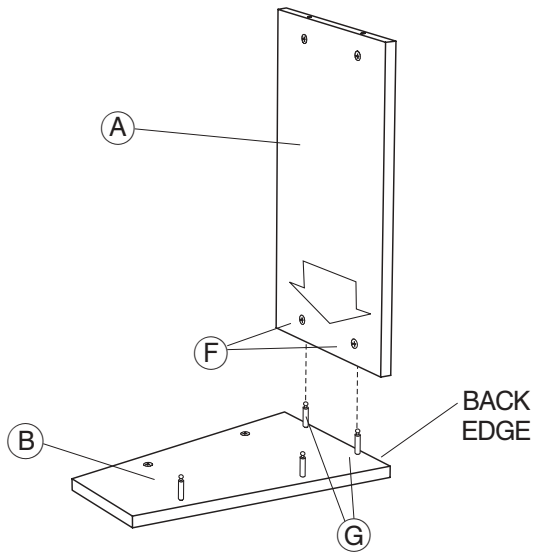
- 1** Work on a smooth, clean surface. Locate the (A) Back Panel and position it with the large holes upward (the beveled edge is the upper end of this panel). Arrange the (B) Left Side Panel and the (C) Right Side Panel on the left and right sides of the Back Panel with the holes upward and the slanted ends toward the upper end of the Back Panel. Place the (D) Shelf at the bottom. Put the (E) Top Panel at the upper end of the Back Panel with the holes up.

Insert (F) Cams into the large holes on the Shelf, Left Side Panel, Right Side Panel and Back Panel with the arrows pointing toward the nearest SIDE edge.

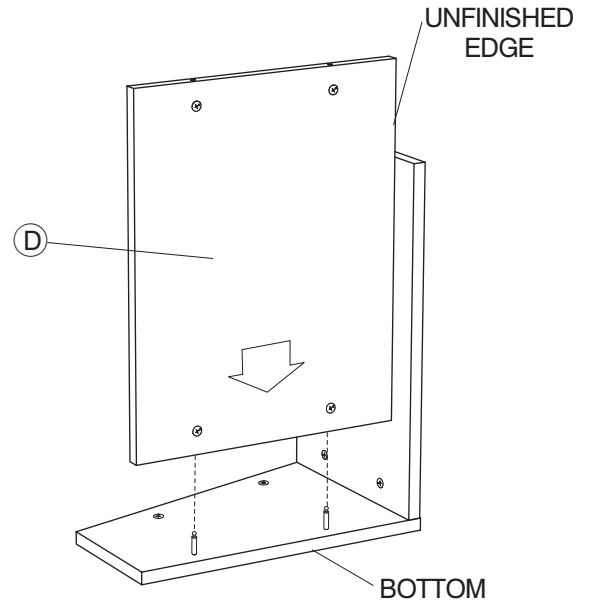
Screw the (G) Screw Posts into the smaller holes on the Left Side Panel, Right Side Panel and Top Panel.



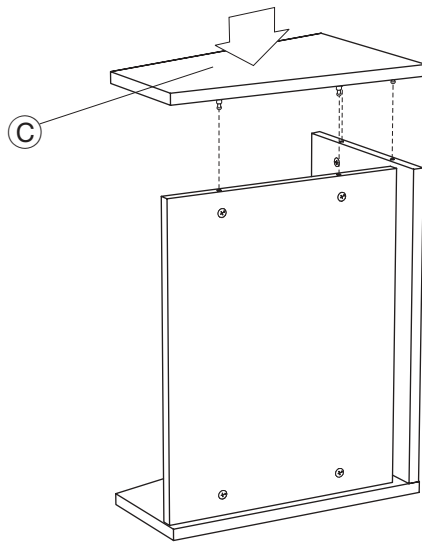
- 2** Lift the (A) Rear Panel over the (B) Left Side Panel. Align the holes in the edge of the Rear Panel (next to the Cams (F)) with the (G) Screw Posts on the rear edge of the Left Side Panel. Slide the Rear Panel down onto the Screw Posts, and fasten by turning each of the cams clockwise until they stop. **IMPORTANT:** to prevent possible damage during assembly, support the Back Panel in the upright position.



- 3** Now slide the (D) Shelf over the center Screw Posts of the Left Side Panel (making sure the Locking Cams are still facing the edge), with the Cam side toward the bottom of the Side Panel and the long unfinished edge toward the Back Panel. Secure the Cams as in step 2.



- 4** Carefully position the (C) Right Side Panel over the Rear Panel and Lower Shelf. With the arrows on the Cams pointing toward the Screw Posts, slide the Screw Posts on the Right Side Panel down into the edge holes, and tighten all Cams as before.



- 5** Position the unit with the slanted end upward. With the pencil groove toward the rear of the unit, slide the Screw Posts on the (E) Top down into the edge holes, and fasten the remaining Cams.

