

# Installation and Assembly - Back To Back Plasma 2000 Mount

For customer service call:  
1-800-888-6024

**IMPORTANT!**  
Read entire instruction sheet before  
you start assembly and installation.

**Model:**  
**PLB3342**

Each Plasma 2000 mount is designed for a single Plasma TV with a screen size measuring 33" - 42".

Before you start make sure all parts listed on page 2 are included with your product.

#### Available Accessories:

Adjustable Extension Column Model: **ADD**  
Structural ceiling plate: **DCS400**  
Truss ceiling plate: **DCT300**  
I-beam clamp: **DCT500**

Electrical strip: **ACC552**  
VCR Mount Models: **VPM40-P / SVPM40-P**  
Security Fasteners Model: **ACC502**

**NOTE: The following instructions describe how to assemble one Plasma Mount, follow the same exact procedure to assemble the second mount.**

1

Attach adhesive foam strip (L) to the lower support channel (K). Be sure foam strip is centered and firmly adhered to the lower support channel (K).

2

Attach lower support channel (K) to vertical support arms (J) using two M10 screws (S), two lock washers (T) two washers (U), and two flange nuts (V) as shown. **Do not completely tighten screws!** You will need to adjust the width of the vertical arms to the width of the Plasma TV.

3

Attach four pads (L2) to inside of front hooks (M). **Be sure to cover hole.** Insert four front hook covers (O) to four front hooks (M) as shown. Insert four rear hook covers (P) to four rear hooks (N) as shown. *\*(Use either the long or short rear hooks (N) depending on the depth of the Plasma TV.)* Attach adhesive pads (I) to top clamps (H) as shown.

4

Attach front and rear hooks (M,N) and nylon spacers (Q - larger hole facing arm) using one M6 screw (R) to vertical support arms (J) as shown. **Do not completely tighten screws!** You will need to adjust the depth of the hooks to the depth of the Plasma TV.  
**! Note: Front hooks (M) indicate front of mount.**

5

**Caution! Have a person assist you in this step!** Carefully invert Plasma TV so the top is on the ground. Invert the partially assembled mount placing it on the TV as shown. **Make sure the TV screen is on the front side of the mount. To prevent damage to sensitive screen do not lie the Plasma TV flat on the ground!** Slide vertical support arms (J) in toward TV until inside edges touch side of TV. Securely tighten two M10 screws (S).

6

Carefully reinvert Plasma TV with mount so that it is right side up. Slide top clamps (H) **IN BETWEEN SPACERS** and vertical support arms (J) as shown.

6.1

Adjust hooks (M,N) at top of both vertical support arms (J) to proper depth of Plasma TV. Securely tighten M6 screws (R) while pressing down firmly on top clamps (H). Adjust hooks (M,N) at bottom of both vertical support arms (J) to proper depth of Plasma TV. Securely tighten M6 screws (R).

**IMPORTANT: Make sure hooks (M,N) at all four points have sufficient contact with TV and hold it securely in place.**

6.2

By hand thread one M10 screw (S) into each vertical support arm (J) into one of the threaded holes- 1,2,3 or 4. Choose the hole that will allow for **at least 2" (51mm)** of tilt clearance (See step 8).  
**Leave 1/4" of exposed thread.**

6.3

Attach right and left tilt brackets (F & G) to horizontal support (C) using four screws & washers (S,T & U).

7

**Note: \*Adjustable extension column is sold separately.** Attach horizontal support (C) to cross arm (X) using a flush mount tube (A) fiber washers (B & D) and retaining collar (E) as shown. Attach assembly to adjustable extension column using fiber washers (B & D) and retaining collar (E) as shown.

7.1

**IMPORTANT:** Retaining collars (E) require a safety M5 screw (W). When attaching the horizontal support (C) to cross arm (X) (and later cross arm to extension column), carefully thread retaining collar (E) onto end of flush mount (A) tube (or extension column). Tighten retaining collar (E) at least four complete turns ending with one of the small threaded holes aligned with slot in the end of flush mount tube (A) (or extension column). Insert and tighten M5 screw (W).

**WARNING: M5 screw (W) is self tapping and may be hard to get started but is essential to this installation. Failure to install this screw can cause the mount to fall.**

**Go back to step 1 and assemble the second plasma mount. Once completed return to step 8.**

8

**For clarity, only one plasma mount is illustrated.**

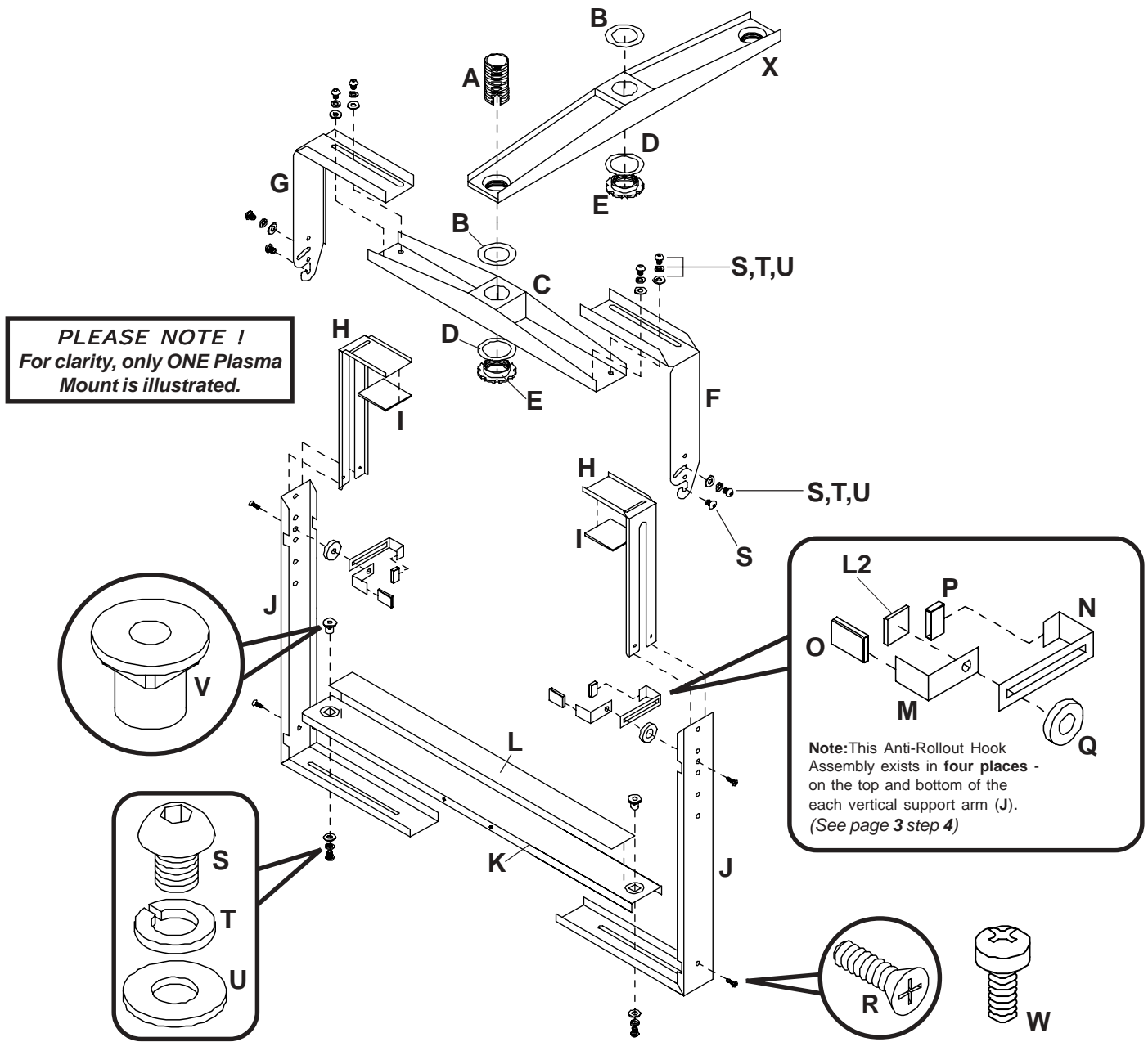
Be sure that hooks in right and left tilt brackets (F & G) are open end forward. Carefully hang TV / mount assemblies as shown.

**WARNING: Do not lift more weight than you can handle! Use additional manpower or mechanical lifting equipment to safely lift and hang the TV / Mount assemblies!**

Insert one M10 screw & washers (S,T & U) through slot in each tilt bracket (F & G). Hand tighten.

8.1

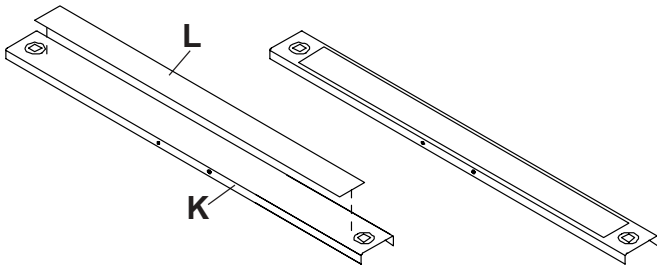
Adjust each Plasma TV to desired tilt, then **TIGHTEN ALL M10 SCREWS (S) SECURELY.** Maximum tilt is 30°. If tilt clearance, \*\*at least 2 inches (51mm), is a problem revisit step 6-2.



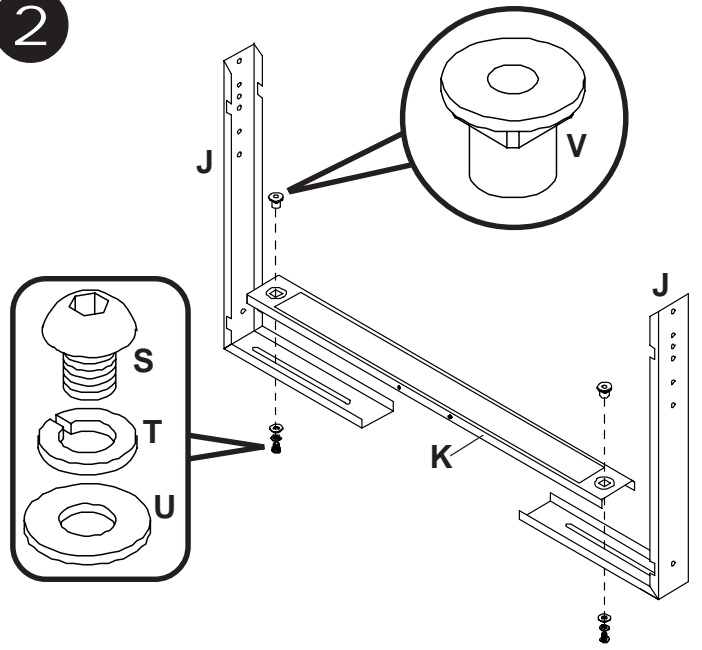
Some parts may appear slightly different than illustrated.

<b>Parts List</b>			<b>Before you start make sure all parts listed below are included with your product.</b>		
<b>PART#</b>	<b>QTY.</b>	<b>DESCRIPTION</b>	<b>PART#</b>	<b>QTY.</b>	<b>DESCRIPTION</b>
A 1446-014	2	flush mount tube	M 200-1025	8	front hook
B 540-9431	3	fiber washer (small)	N 200-1024	8	rear hook (long)
C 128-1020	2	horizontal support	200-1023	8	rear hook (short - not pictured)
D 540-9432	3	fiber washer (large)	O 590-1055	8	front hook cover
E 1800-375	3	retaining collar	P 590-1072	8	rear hook cover
F 200-1018	2	tilt bracket right	Q 590-1071	8	nylon spacer
G 200-1017	2	tilt bracket left	R 520-1166	8	M6 x 18mm flat phillips screw
H 200-1210	4	top clamp	S 520-9262	20	M10 x 15mm socket screw
I 570-0024	4	adhesive foam pad (3" x 2.25")	T 540-9424	16	M10 lock washer
J 200-1208	4	vertical support arm	U 540-9407	16	M10 washer
K 200-1022	2	lower support channel	V 520-9261	4	M10 - 1.5 x .7 flange nut
L 570-0028	2	adhesive foam strip (30" x 2.5")	W 520-9250	3	M5 x 10mm phillips screw
L2 570-0008	8	adhesive foam pad (1" x 1")	X 200-1038	1	cross arm
<b>ATTACHMENT TO CONCRETE MOUNTING SURFACE</b>			<b>ATTACHMENT TO WOOD MOUNTING SURFACE</b>		
Maximum Load Capacity when attached to:			Maximum Load Capacity when attached to:		
<b>Double Wall Arm:</b> 350 lbs. (160 kg.)	<b>Suspended Ceiling Plate:</b> 350 lbs. (160 kg.)	<b>Ceiling Plate:</b> 350 lbs. (160 kg.)	<b>Double Wall Arm:</b> 350 lbs. (160 kg.)	<b>Suspended Ceiling Plate:</b> 350 lbs. (160 kg.)	<b>Ceiling Plate:</b> 350 lbs. (160 kg.)

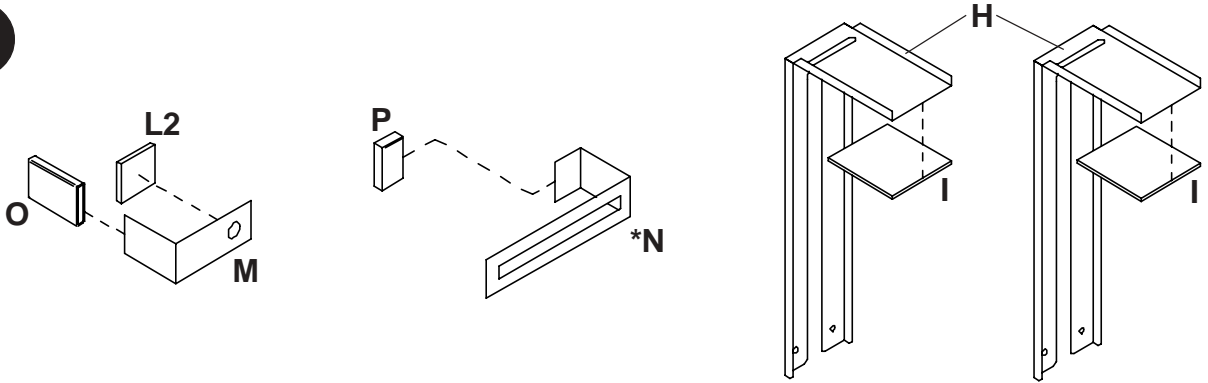
1



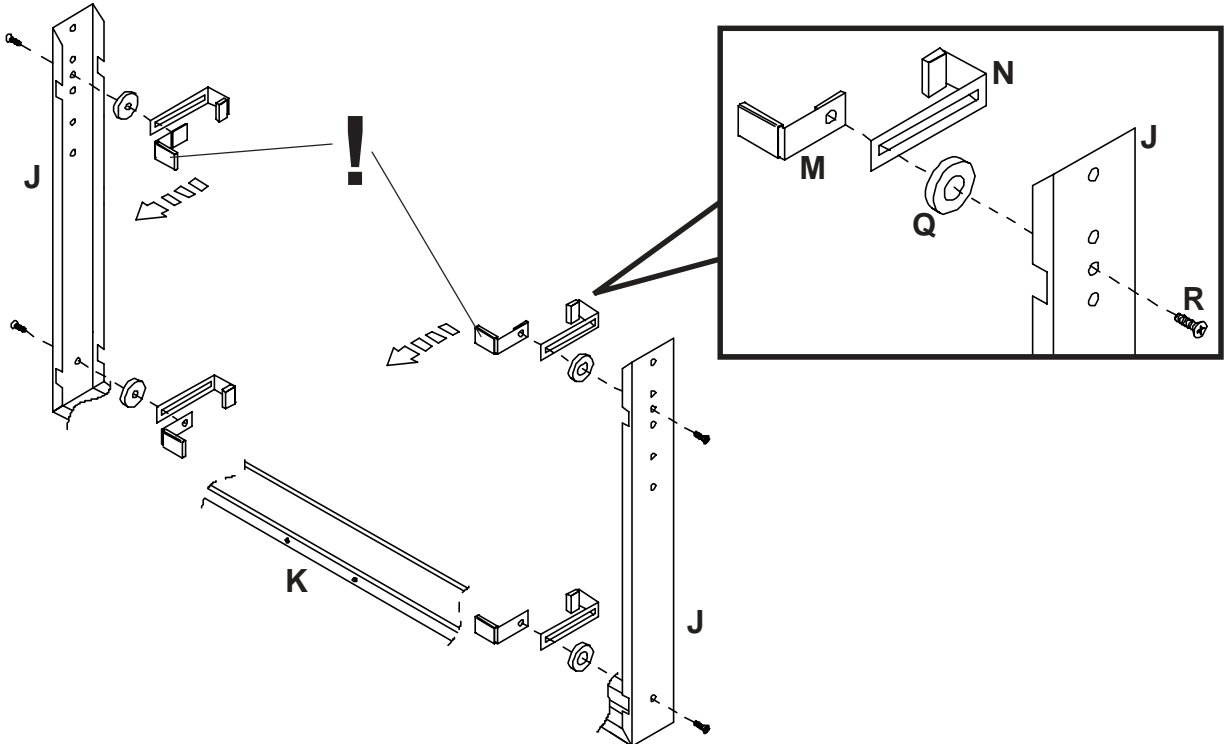
2



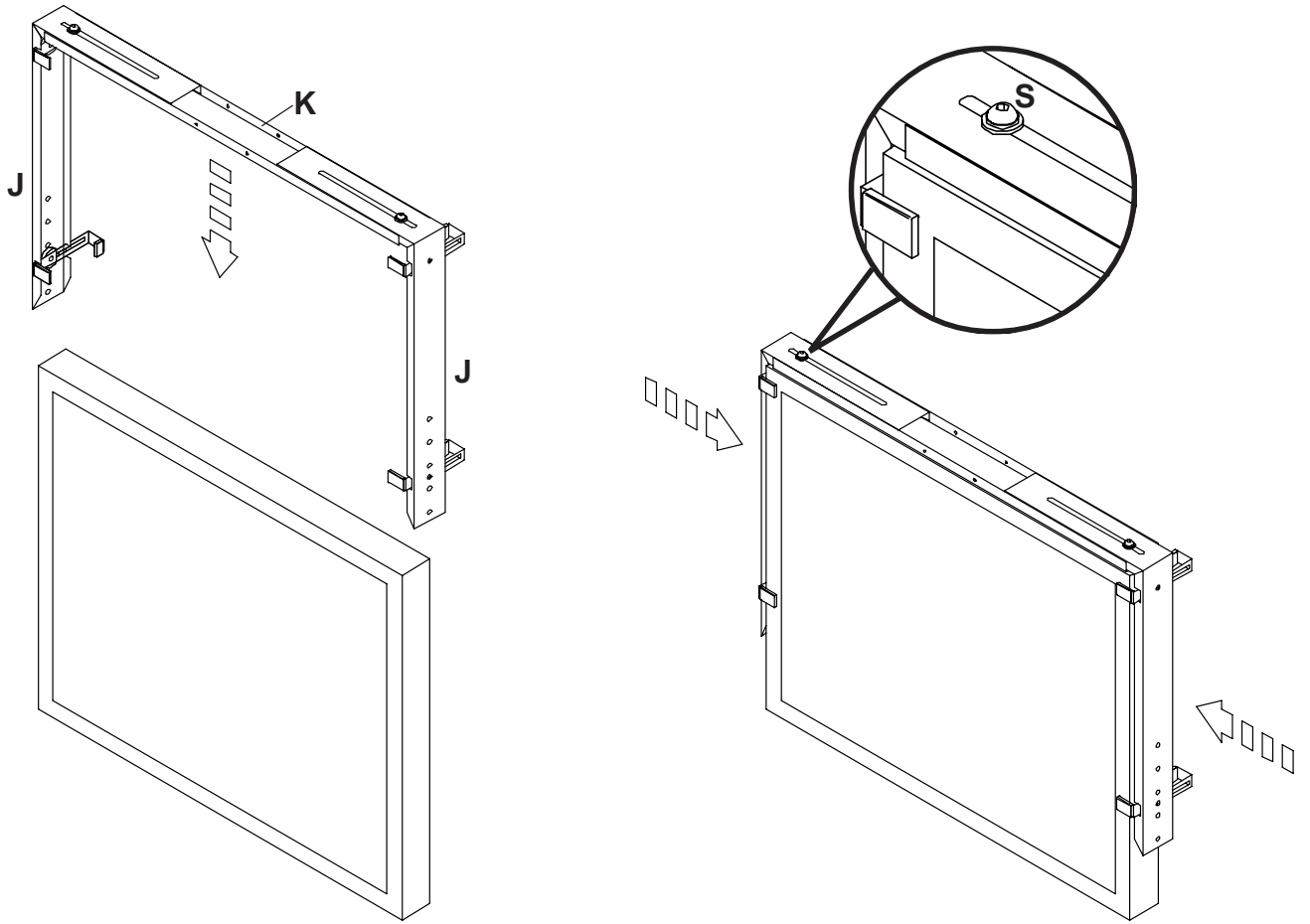
3



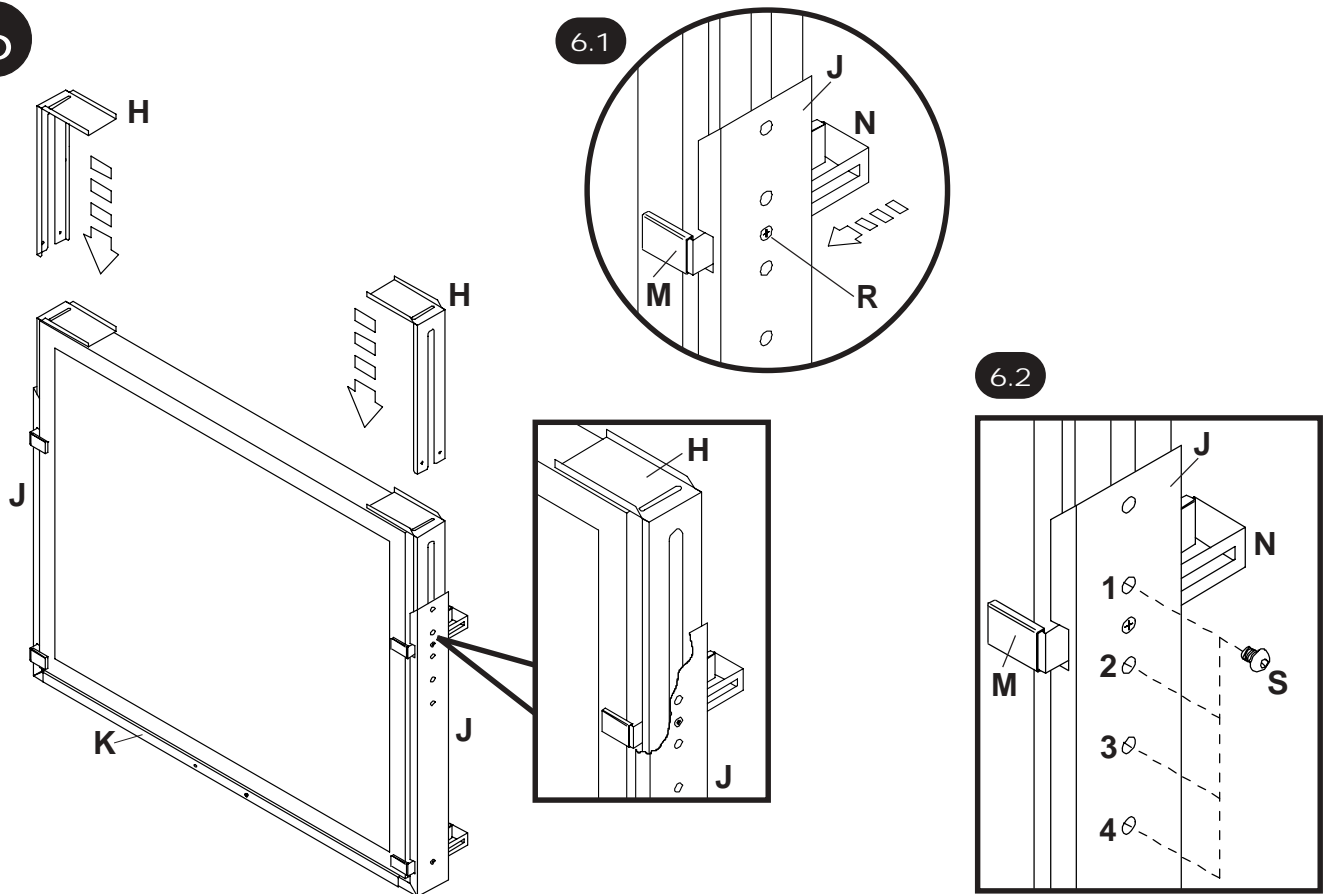
4



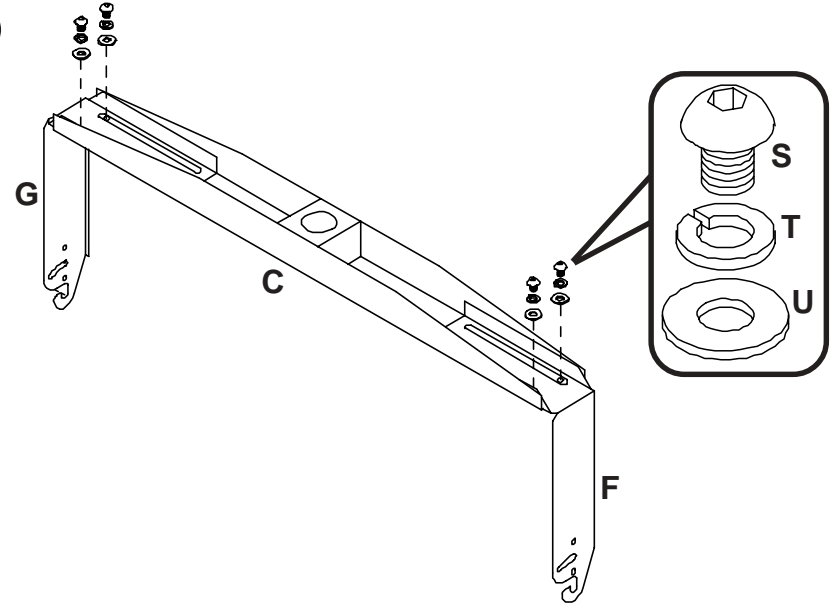
5



6

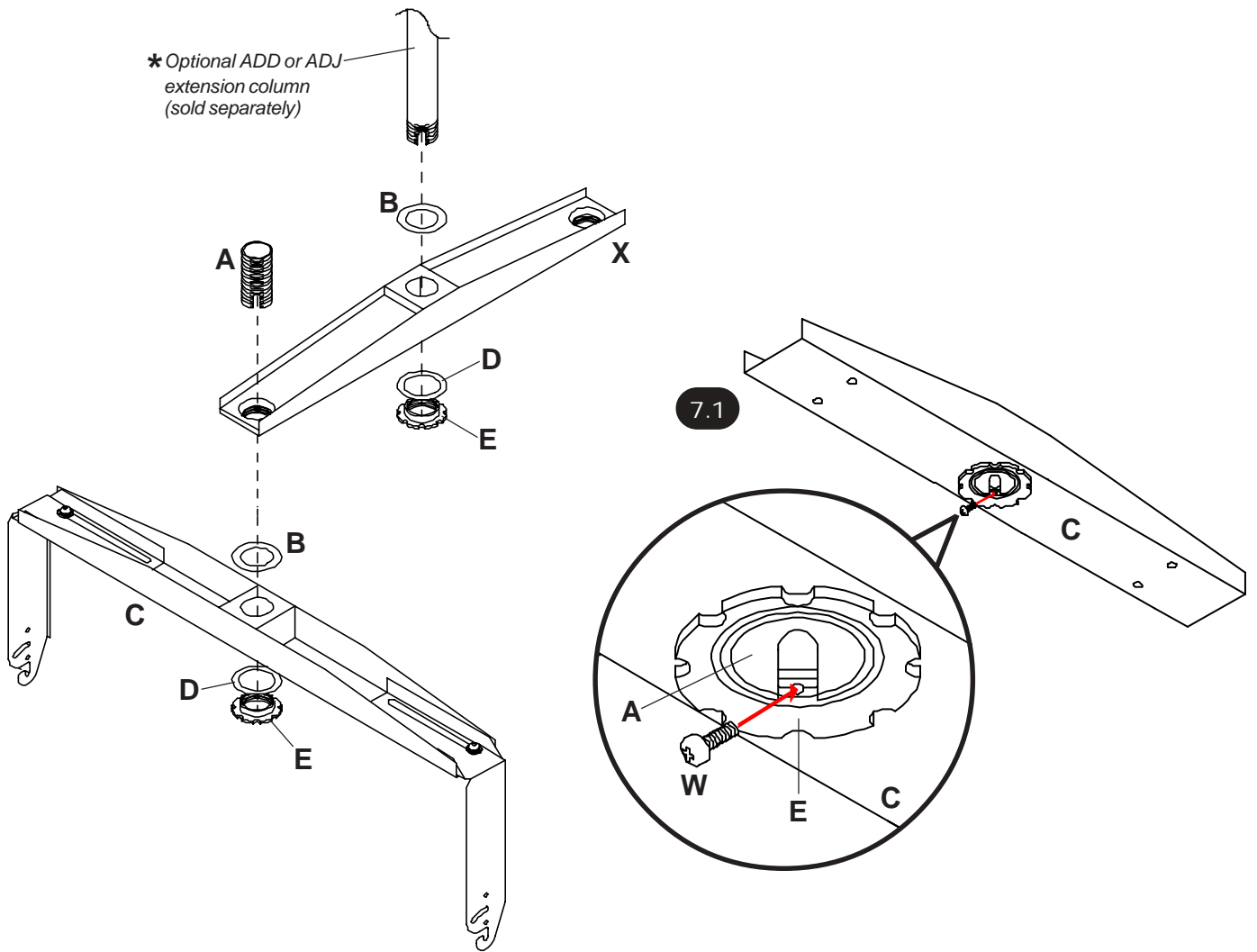


6.3



7

\*Optional ADD or ADJ extension column (sold separately)



8



8.1

