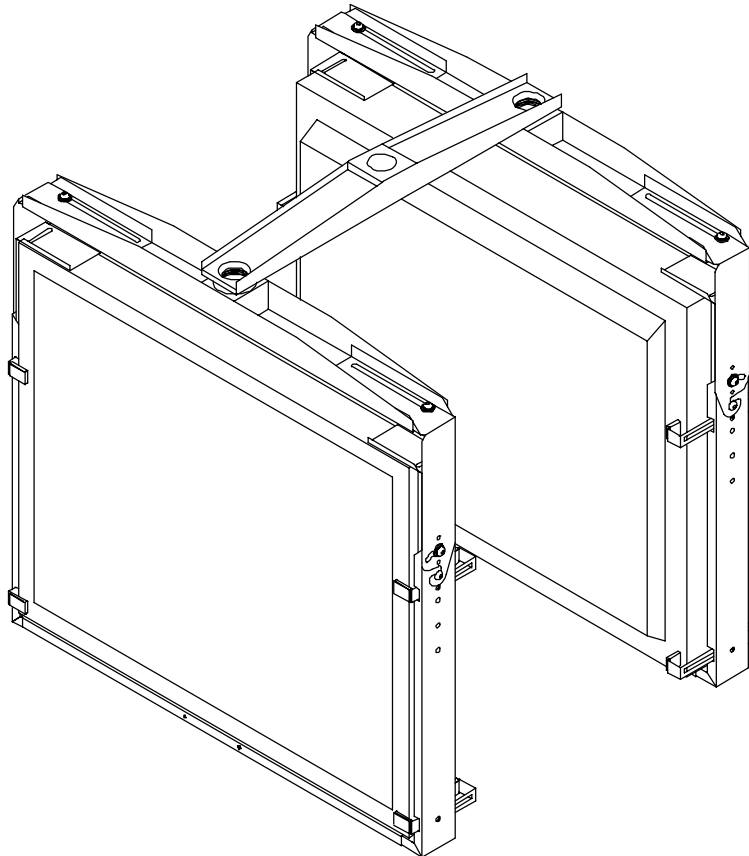


Model **PLB3342 Back To Back Plasma 2000 Mount** is designed to support two Plasma monitors. Each yoke style mount surrounds and clamps the monitor. To complete the installation, an adjustable extension column must be utilized.

Features:

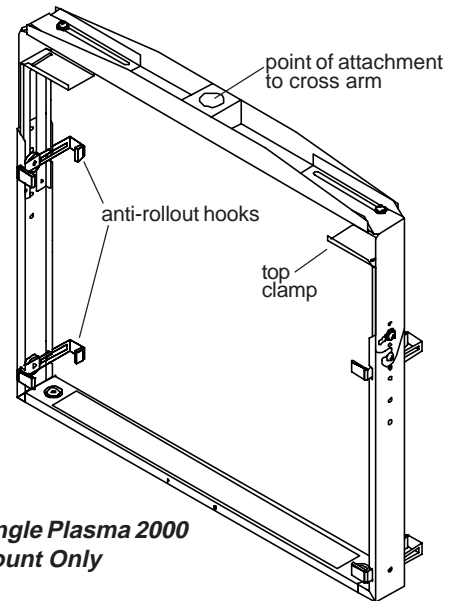
- Adjustable tilt 0° - 30°.
- Mount swivels 360°.
- Heavy gage steel construction.
- Scratch resistant black fused epoxy finish.
- Design surrounds and clamps monitor for maximum stability.
- Designed for 33" - 42" Plasma monitors.

Back To Back Plasma 2000 Mount with Plasma Monitors



Accessories:

- Adjustable extension column model: **ADD**
- Structural ceiling plate: **DCS400**
- Truss ceiling plate: **DCT300**
- I-beam clamp: **DCT500**
- Electrical strip: **ACC552**
- Security fasteners model: **ACC502**
- VCR mount models: **VPM40-P and SVPM40-P**



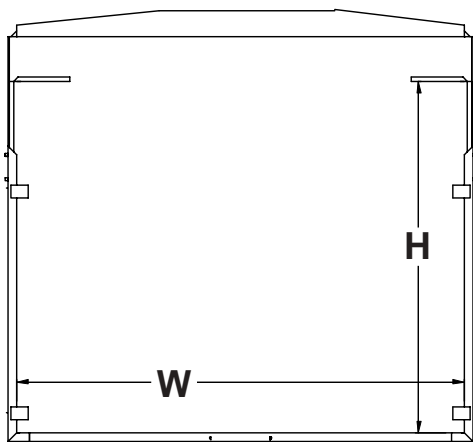
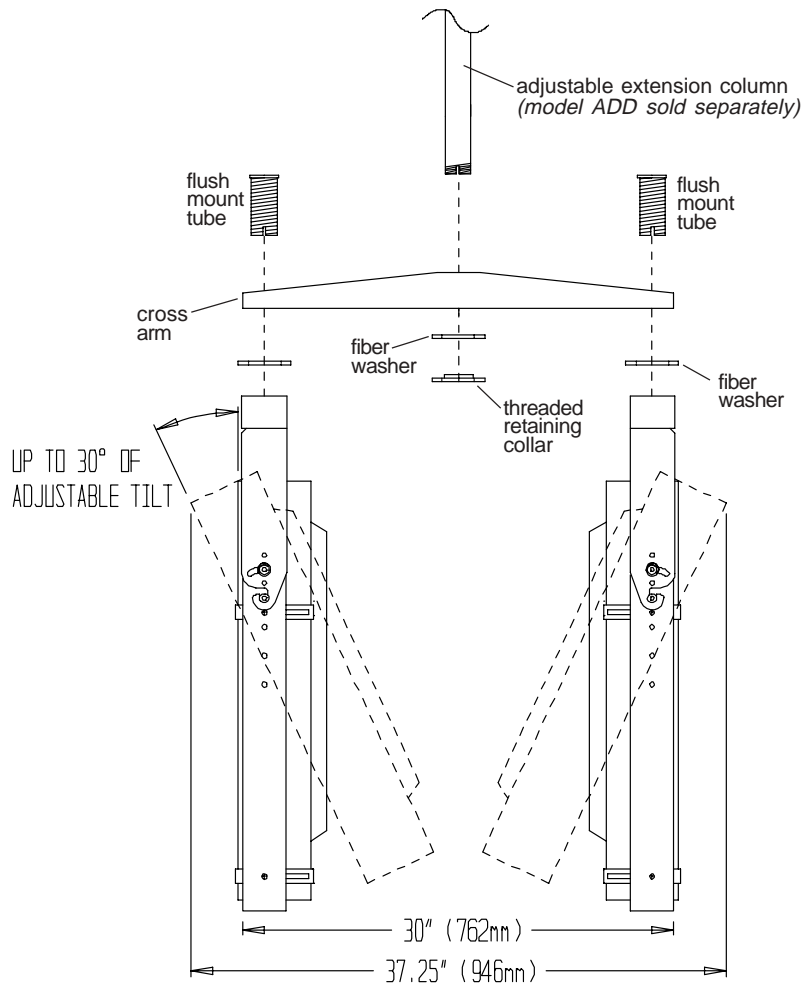
Single Plasma 2000 Mount Only

ARCHITECTS SPECIFICATIONS

The Back To Back Plasma 2000 Mount for two plasma monitors shall be a model _____ and shall be mounted where indicated on the plans. The mount shall support two plasma monitors, swivel 360° and provide 30° of adjustable tilt (for each monitor). It shall be constructed of heavy gauge cold rolled steel. The finish shall be scratch resistant black fused epoxy. Assembly and installation shall be done according to instructions provided by the manufacturer.

TECHNICAL DATA SHEET

Back To Back Plasma 2000 Mount



Front View - Plasma 2000 Mount Only

Back To Back Plasma 2000 Mount Specifications

| Weight | Shipping Weight | BRACKET INSIDE DIMENSIONS | | Diagonal Screen Size |
|-----------------------|---------------------|---------------------------------|---------------------------------|-----------------------------|
| | | Width (W) | Height (H) | |
| 55.8 lbs. (25.3kg) | 68.3 lbs. (31kg) | 35.5" - 49" (902mm) (1245mm) | 23.25" - 31" (622mm) (788mm) | 33"-42" (838mm) (1067mm) |

Maximum Load Capacity:
300lbs. (160kg.)
**WARNING: WEIGHT OF MONITORS NOT TO EXCEED
 MAXIMUM LOAD CAPACITY!**

Plasma 2000 mounts are assembled with M10 socket head screws. For added security order **ACC502** Penta-pin™ security fastener kit.

TECHNICAL DATA SHEET

**Back To Back
 Plasma 2000 Mount**