

TECHNICAL DATA SHEET - Fixed Length Extension Columns

MODELS: EXT 006, EXT 006S, EXT 018, EXT 018S, EXT 101, EXT 101S, EXT 102, EXT 102S, EXT 103, EXT 103S, EXT 104, EXT 104S, EXT 105, EXT 105S, EXT 106, EXT 106S, EXT 107, EXT 107S, EXT 108, EXT 108S, EXT 109, EXT 109S, EXT 110, EXT 110S



Fixed Length Extension Columns are constructed of 1-1/2" 11.5 NPT schedule 40 pipe threaded and notched on both ends for safety locking.

Features:

- 1-1/2" 11.5 NPT schedule 40 pipe
- Safety notched for use with mounts
- Compatible with single unit mounts (use of ACC 110 required for use with Designer Series Ceiling Mounts)
- Models EXT 006 - EXT 106 finished in black fused epoxy
- Models EXT 006S - EXT 106S finished in silver fused epoxy
- Models EXT 107 - EXT 110 wrapped with black vinyl
- Models EXT 107S - EXT 110S wrapped with silver vinyl
- Screws and/or other hardware required to lock extension column to mounts are sold with the appropriate mount

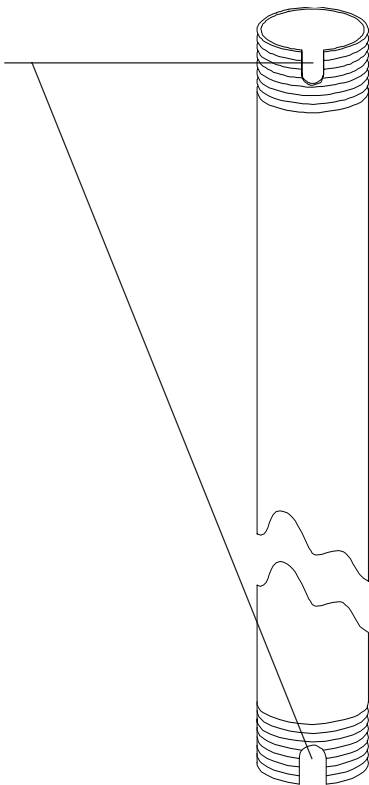
Accessories:

- Various ceiling plates and ceiling adapters are available

Dimensions:

For dimensions and weights, see page 2.

Notched ends allow Extension Column to be safety locked to ceiling plate and Jumbo Mount.



Fixed Length Extension Column

ARCHITECTS SPECIFICATIONS:

The extension column shall be a model EXT _____. It shall be constructed of 1-1/2" -11.5 NPT steel tubing. EXT 006 through EXT 106 shall be finished in scratch resistant black fused epoxy. EXT 006S through EXT 106S shall be finished in scratch resistant silver fused epoxy. EXT 107 through EXT 110 shall be wrapped with black vinyl. EXT 107S through EXT 110S shall be wrapped with silver vinyl. It shall feature notched ends for safety locking. Assembly and installation shall be done according to the instructions provided by the manufacturer.

TECHNICAL DATA SHEET

MODELS: EXT 006, EXT 006S, EXT 018, EXT 018S, EXT 101, EXT 101S, EXT 102, EXT 102S, EXT 103, EXT 103S, EXT 104, EXT 104S, EXT 105, EXT 105S, EXT 106, EXT 106S, EXT 107, EXT 107S, EXT 108, EXT 108S, EXT 109, EXT 109S, EXT 110, EXT 110S

All Dimensions: inch
mm

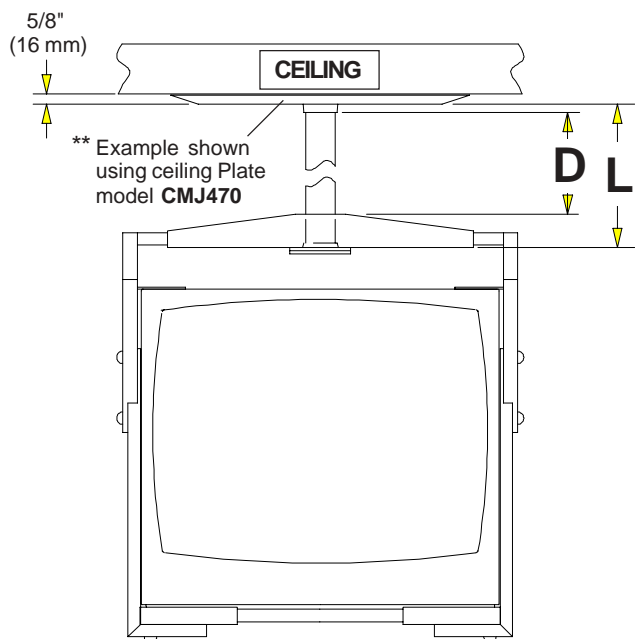
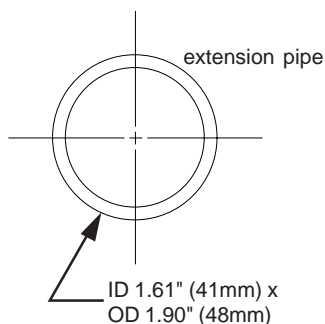


Illustration shows the fixed length extension column as it would be used with Jumbo 2000™ TV mounts. Drop lengths can vary depending on the mount used. Refer to chart at right for drop lengths for TV and projector mount installations.

SPECIFICATIONS			
MODEL#	ACTUAL LENGTH L	***JUMBO 2000 MOUNT DROP D	PROJECTOR MOUNT DROP D
EXT 006, EXT 006S	9.5 241	6 152	8 203
EXT 101, EXT 101S	15.5 394	12 305	14 356
EXT 018, EXT 018S	21.5 546	18 457	20 508
EXT 102, EXT 102S	27.5 699	24 610	26 660
EXT 103, EXT 103S	39.5 1003	36 914	38 965
EXT 104, EXT 104S	51.5 1308	48 1219	50 1270
EXT 105, EXT 105S	63.5 1613	60 1524	62 1575
EXT 106, EXT 106S	75.5 1918	72 1829	74 1880
EXT 107, EXT 107S	87.5 2223	84 2134	86 2184
EXT 108, EXT 108S	99.5 2527	96 2438	98 2489
EXT 109, EXT 109S	111.5 2832	108 2743	110 2794
EXT 110, EXT 110S	123.5 3137	120 3048	122 3099

** Other ceiling plates are available

*** Add 3/4" (19 mm) for Jumbo Mount models JM 2630, JM 2630S, JM 2640, JM 2640S, JM 2640D, JM 2640DS.



TOP VIEW

MODELS	EXT 006 EXT 006S	EXT 018 EXT 018S	EXT 101 EXT 101S	EXT 102 EXT 102S	EXT 103 EXT 103S	EXT 104 EXT 104S	EXT 105 EXT 105S	EXT 106 EXT 106S	EXT 107 EXT 107S	EXT 108 EXT 108S	EXT 109 EXT 109S	EXT 110 EXT 110S
WEIGHT	1 .45	3.1 1.4	3 1.4	5.5 2.5	7.9 3.6	10.3 4.7	12.7 5.8	15.1 6.8	17.5 7.9	19.9 9	23 10.4	26.1 11.8
SHIPPING WEIGHT	2.3 1	4 1.8	3.7 1.7	6 2.7	9 4.1	10 4.5	15 6.8	16 7.3	18 8.2	20 9.1	26 11.8	29 13.2