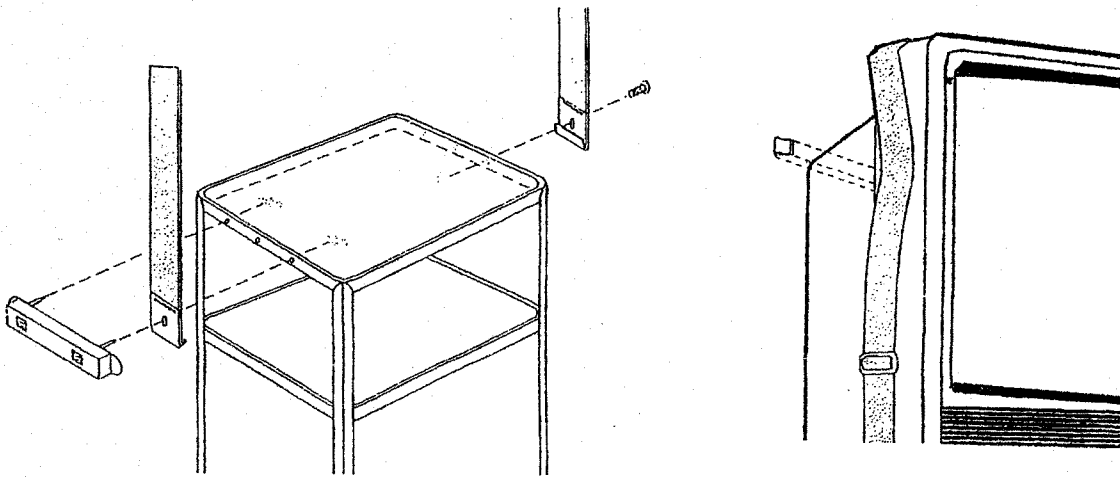


Assembly Instructions AV Safety Belt #66550

FITS MODEL# 84552, 85892, 85992, 86092,
89752, 89753

Parts List

Quantity	Description
1	Safety Belt 12 foot
2	Adhesive Clip
2	Screw
2	Nut



Assembly Instruction

- Step 1. Unscrew and remove the electric strip.
 - Step 2. Hook the belt bracket to the cart.
 - Step 3. Attach electric strip back to the cart.
 - Step 4. Screw everything using the same hardware.
 - Step 5. On the other side, hook the belt bracket to the cart, screw the belt bracket with the hardware provided with belt.
- Note: If no electric strip used, go directly to step 5. for both sides.
If other locations desired rather than the holes pre-drilled, drill a hole at the place you want, secure belt as specified in Step 5.
- Step 6. Adjust tension of the belt till it fits snugly around the monitor.
 - Step 7. Attach the adhesive clips onto monitor.
 - Step 8. Insert belt strap into each clip.

*Should you require assistance during assembly,
please call our Customer Service Department*
Monday - Friday 8 a.m. - 5 p.m. Pacific Time

Toll-Free Customer Service 1-800-888-6024

Missing Parts or UPS Damaged Parts
For Your Convenience you can EMAIL us at
info@ergoindemand.com
24HOURS 7 DAYS A WEEK