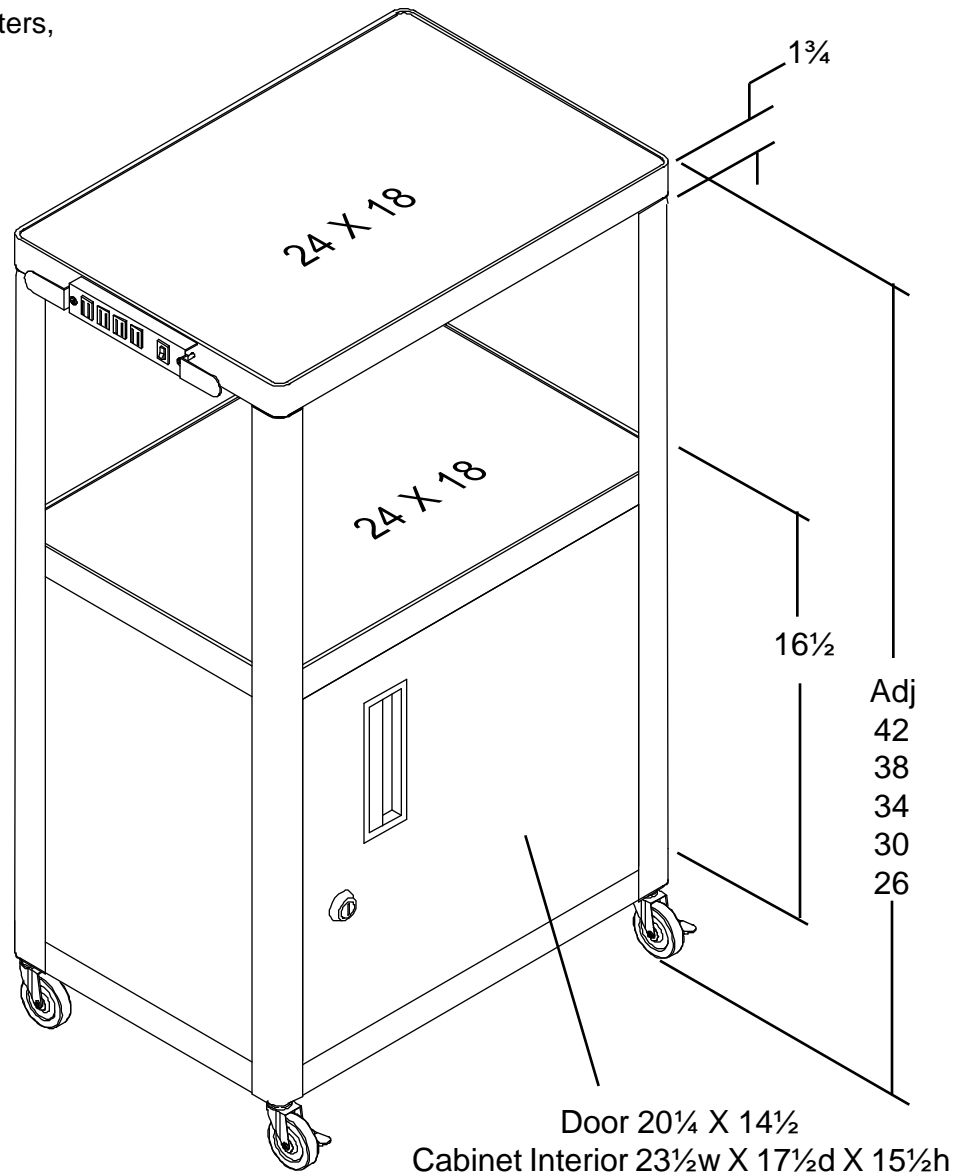


# 85992 Adjustable Height Utility Cart W/Locking Storage Cabinet

For more information  
**1-800-888-6024**

Features include:

- 4 Outlet Power Strip w/surge protector and Cord Winder
- 2 each 4" Locking Swivel Casters,
- 2 each 4" Swivel Casters.



## Shipping Information

6.2 Cubic Feet

65 lbs.

